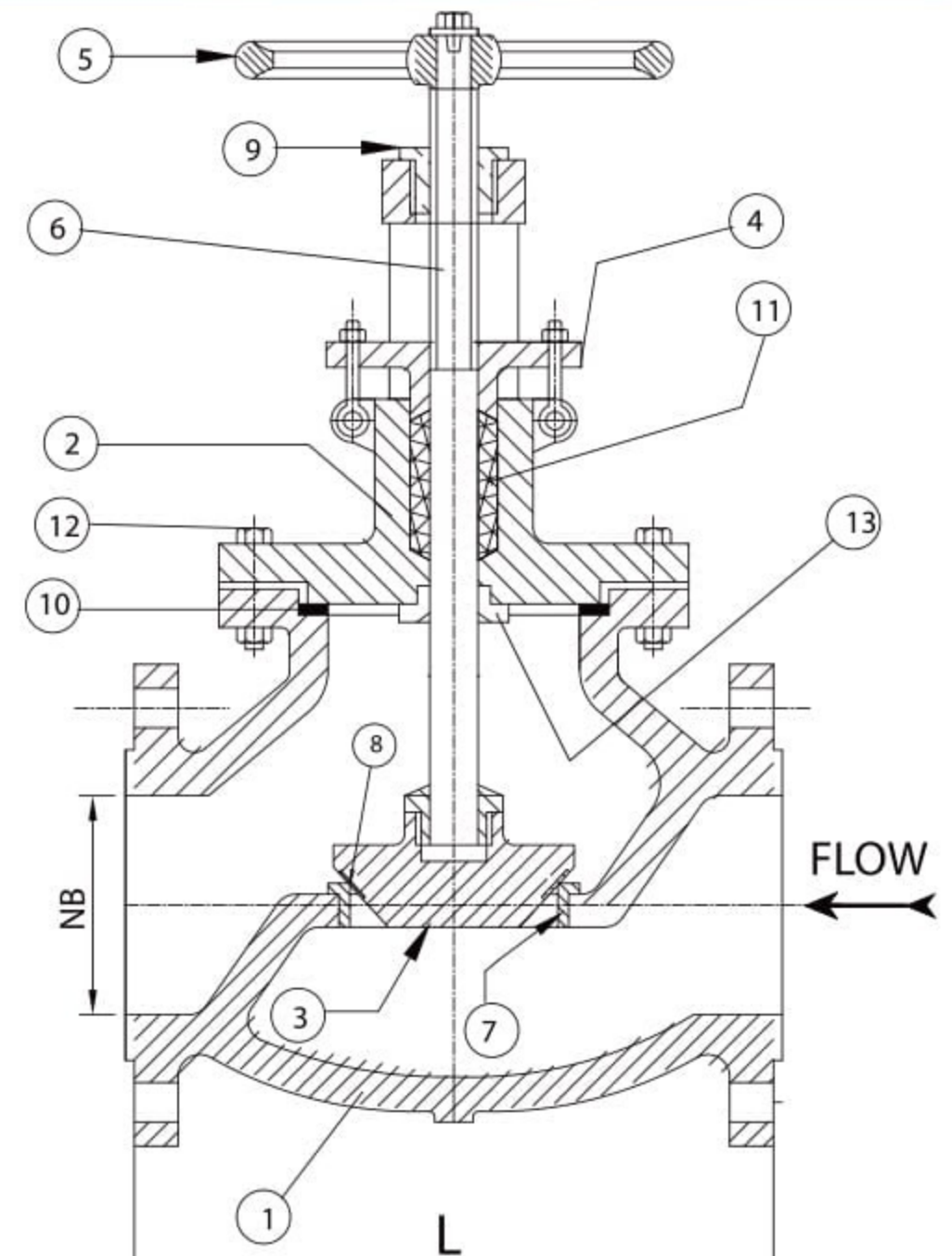


Technical Specifications - Cast Steel Globe Valve

Type of Valve	Cast Steel Globe Valves, Bolted Bonnet, Handwheel Operated, OS & Y Type, Rising Spindle, Solid Wedge, Renewable Body Seat-Rings, Weld Deposited Wedge Face-Rings	
Materials of Construction:		
<ul style="list-style-type: none"> a. Body, Bonnet, Yoke, Gland b. Wedge c. Spindle & Back Seat Bush d. Body Seat-Rings & Wedge Face Ring e. Yoke Sleeve f. Gland Packing g. Gasket h. Bonnet Bolts & Nuts i. Eye-Bolts & Nuts j. Handwheel 	<ul style="list-style-type: none"> CS to ASTM A 216 Gr. WCB CS to ASTM A 216 Gr. WCB AISI 410 / 304 / 316 13% Cr. Steel/AISI 304/316 	<ul style="list-style-type: none"> CS Jute & Hemp to IS 5414 or other material as per customer requirement. CAF or as per customer requirement. ASTM A 193 Gr B7/A 194 Gr 2 H CS to IS 1367 Class 4.6/4 CS / MS Fabricated
Design	BS:1873 Class 150 / 300	
Dimension		
<ul style="list-style-type: none"> • Flange To Flange • Flange Dimension & Drilling 	<ul style="list-style-type: none"> ANSI B 16.10 ANSI B 16.5 Class 150 / 300 RF 	
Hydraulic Test Pressure:-		
<ul style="list-style-type: none"> • Body • Seat & Back Seat 	<ul style="list-style-type: none"> CL 150 32 Kg/Cm² 22 Kg/Cm² 	<ul style="list-style-type: none"> CL 3000 78 Kg/Cm² 57 Kg/Cm²
Accessories	Back Seat Arrangement, Position Indicator, Spindle Lock, Bypass Arrangement, Drain Plug, Electric Actuator, Pneumatic Actuator, Limit Switch, Supervisory Switch	
Range	50 mm NB to 300 mm NB	

Parts:

1. Body,
2. Bonnet (Yoke)
3. Disc
4. Gland
5. Handwheel
6. Spindle
7. Body Seat-Rings
8. Disc Facing
9. Yoke Brush
10. Gasket
11. Gland Packing
12. Bonnet Bolts & Nuts
13. Backseat Brush



- Note**
- Description given is generalized, may vary as per requirement.
 - Specifications given above are subject to change as per revisions in standards without notice.
 - Quotations are based on customer's requirement and data. Customers are requested to send specific requirement for an offer.
 - All sizes in millimeter

H. Sarker & Company Valves (P) Ltd.

Works: Phone: +91 33 2653 1214 / 0061 • eMail: hsblt09@gmail.com
Regd. Office: Ajit Sen Bhawan, 13 Crooked Lane, 2nd Floor, Kolkatta 700 069.
 Phone: 033-22109163

